

**Serie 740 Stecker htec® 5+4 pol. + 2-pol Ethernet-Buchse**  
**Series 740 Plug htec® 5+4 pin + 2-pin Ethernet-female**

1 2 3 4 5 6 7 8 9 10 11 12 13 14 15 16 17 18 19 20 21 22 23 24 25 26 27 28 29

Signal 4  
PE + Power 8

Ethernet 75

twist "click"

Crimp Tool

	a[mm²]	L[mm]	crimp tool	Locator	Pos.:
Signal	0,14 - 1,0	80	C0.235.00	C0.265.00	10
	0,5 - 1,5	75			12
PE	<b>Contact Type</b>		tool settings: see crimp tool manual		Colour
	<b>1,5² - 10²</b>				
	1,5 - 4,0	60	C0.008.00	C0.010.00	blue
	6 - 10	52			green
6 - 10	60	C0.008.00	C0.010.00	blue	
16	52	C0.313.00	C0.010.00	green	
Power	<b>1,5² - 10²</b>				Colour
	1,5 - 4,0	59	C0.008.00	C0.010.00	
	6 - 10	51			green
	6 - 10	59	C0.008.00	C0.010.00	blue
16	51	C0.313.00	C0.010.00	green	

cut along the metal edge

press

open

close

assemble

Position! "click"

Position! "click"

Position! "click"

SW 41

	A [mm²]	digital Crimp Tool	Locator	Pos.:
Ethernet	0,14 - 1,0	C0.235.00	C0.265.00	10
	tool settings: see crimp tool manual			

	insert for local tool	hand tool	insert
	C0.320.00	C0.282.00	C0.321.00

	insert for local tool	hand tool	insert
	C6.169.00	C0.282.00	C6.166.00

13±1

4

17

18

16

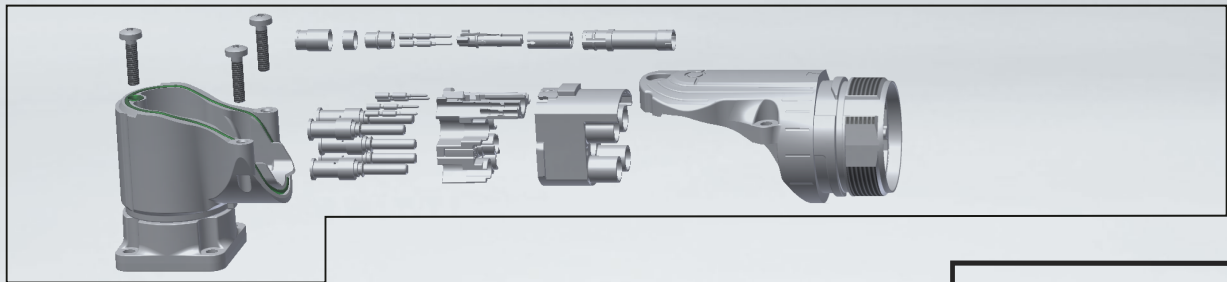
26

29

M

cable ø	9-16mm:	27Nm
cable ø	16,5-25mm:	18Nm

**Serie 740 Winkeleinbaudose htec® drehbar 5+4 pol. + 2-pol. Ethernet-Stift**  
**Series 740 Receptacle Angled rotatable htec® 5+4 pin + 2-pin Ethernet-pin**

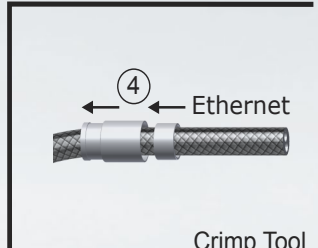


Signal 4  
 PE + Power 8

Crimp Tool

	a[mm²]	crimp tool	Locator	Pos.:
Signal	0,14 - 1,0	C0.235.00	C0.265.00	10
	0,5 - 1,5			12
PE + Power	1,5 - 4,0	C0.008.00	C0.247.00	Colour
	6 - 10			blue green
Brake	0,35 - 2,5	C0.236.00	C0.365.00	13

tool settings: see crimp tool manual



7 5 6 8 9 10 11 12

cut along the metal edge

13 Position! "click"

14 15 16

press

	insert for local tool	hand tool	insert
	C0.320.00	C0.282.00	C0.321.00

Ethernet	A [mm²]	digital Crimp Tool	Locator	Pos.:
	0,14 - 1,0	C0.235.00	C0.265.00	10
		tool settings: see crimp tool manual		

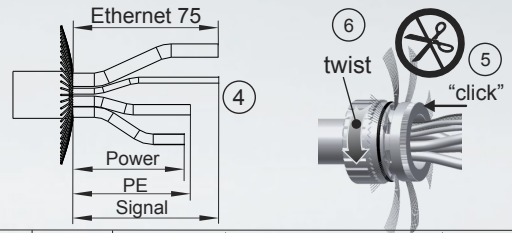
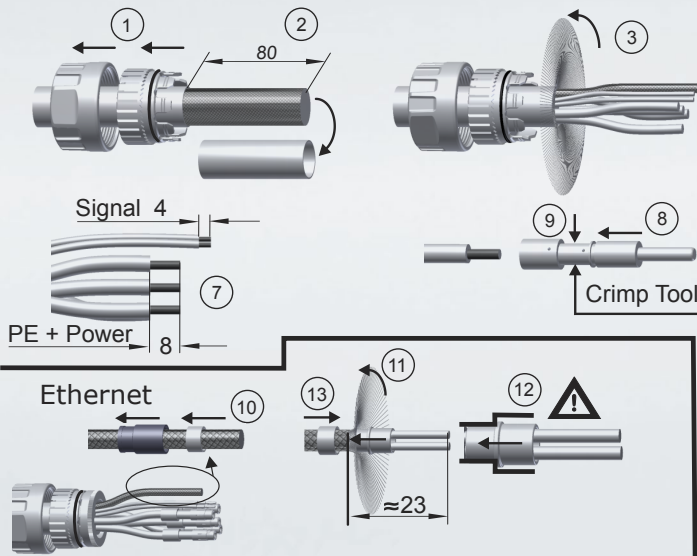
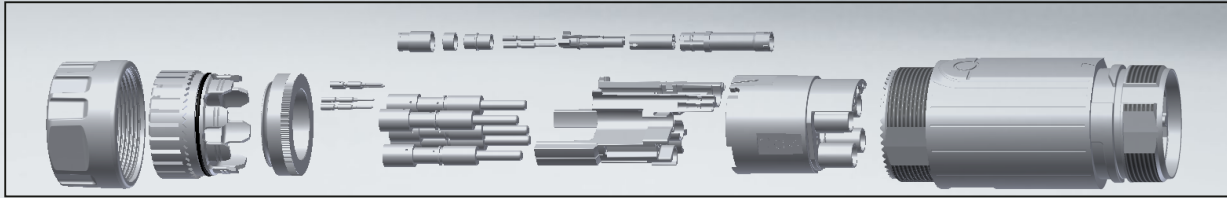
	insert for local tool	hand tool	insert
	C6.169.00	C0.282.00	C6.166.00

17 18 open 19 Position! "click" 20 close 21 Position! "click"

22 23 24 Tool: C5.018.00 25 26 Torx: T 20 M=3Nm

Demontage / Dismounting

**Serie 740 Kupplung htec® 5+4 pol.+2 pol Ethernet-Stift**  
**Series 740 Extension htec® 5+4 pin + 2 pin Ethernet-pin**



	a[mm <sup>2</sup> ]	L[mm]	crimp tool	Locator	Pos.:
Signal	0,14 - 1,0	80	C0.235.00	C0.265.00	10
	0,5 - 1,5	75			12
PE	<b>Contact Type</b>		tool settings: see crimp tool manual		Colour
	1,5 <sup>2</sup> - 10 <sup>2</sup>		C0.008.00	C0.010.00	
	1,5 - 4,0	60			52
	6 - 10	60	52	blue	
Power	6 <sup>2</sup> - 16 <sup>2</sup>		C0.008.00	C0.010.00	green
	1,5 - 4,0	59	C0.008.00	C0.010.00	blue
	6 - 10	51			green
	6 - 10	59	C0.008.00	C0.010.00	blue
16	51	C0.313.00	C0.010.00	green	

